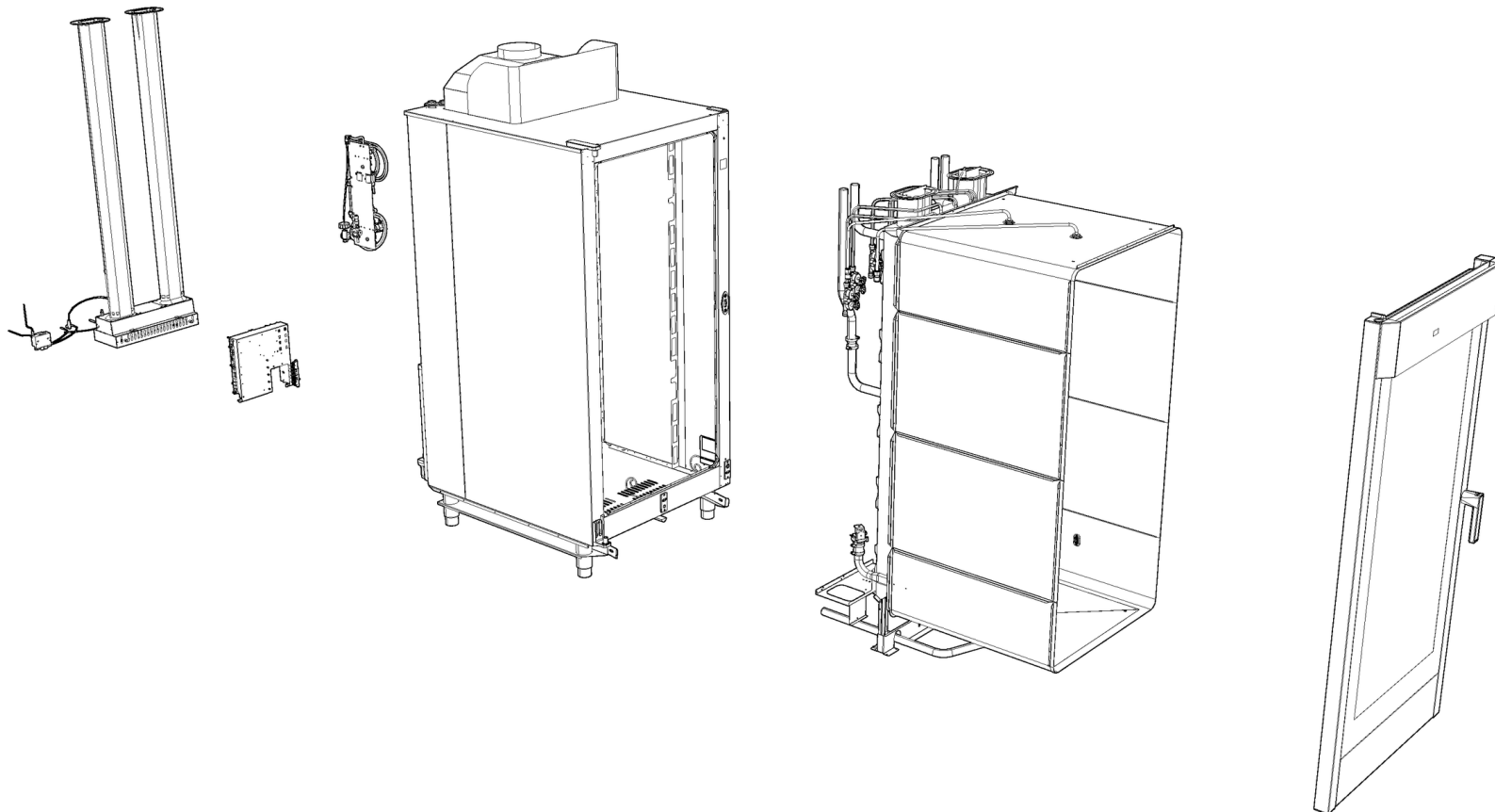
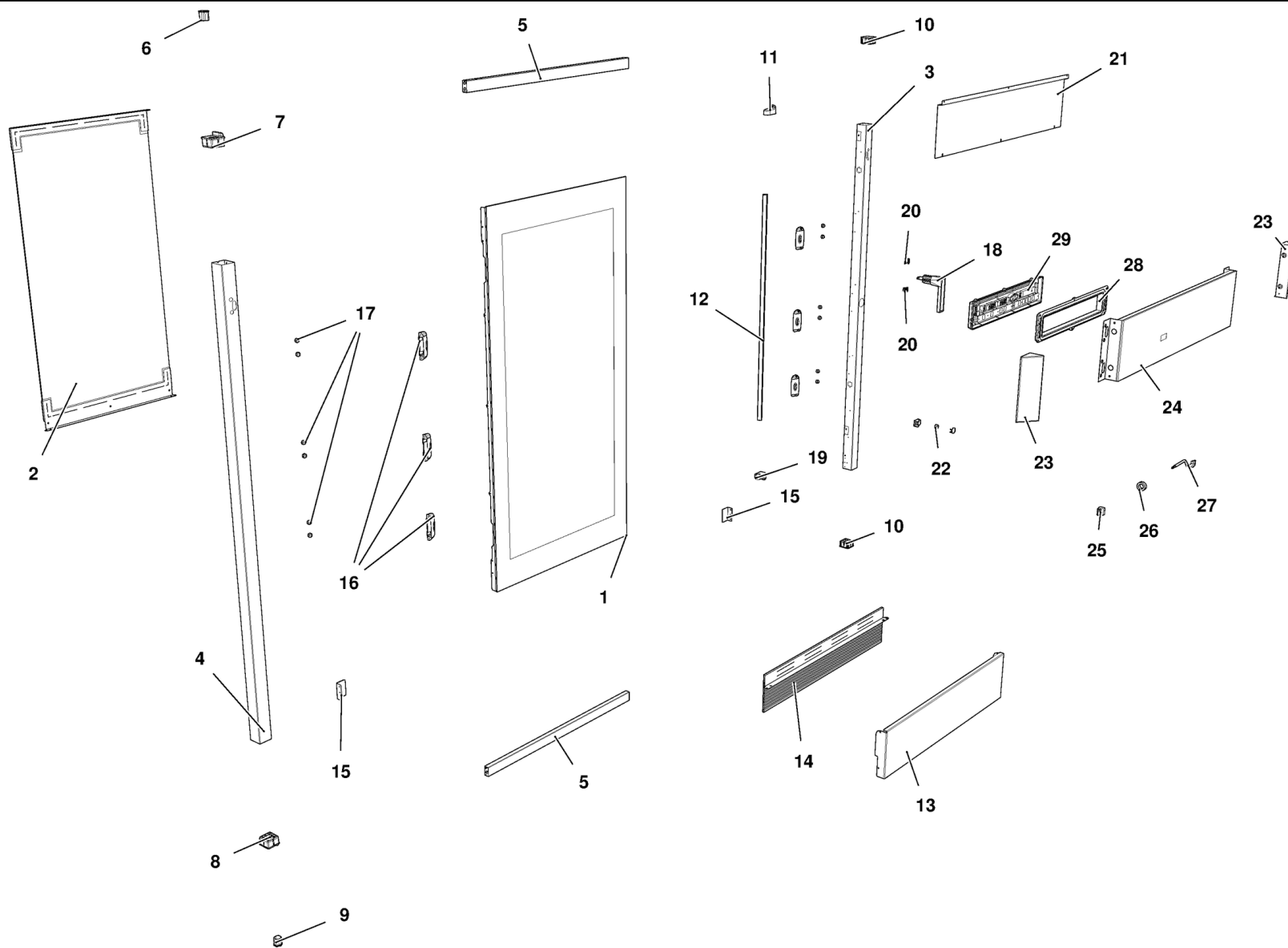


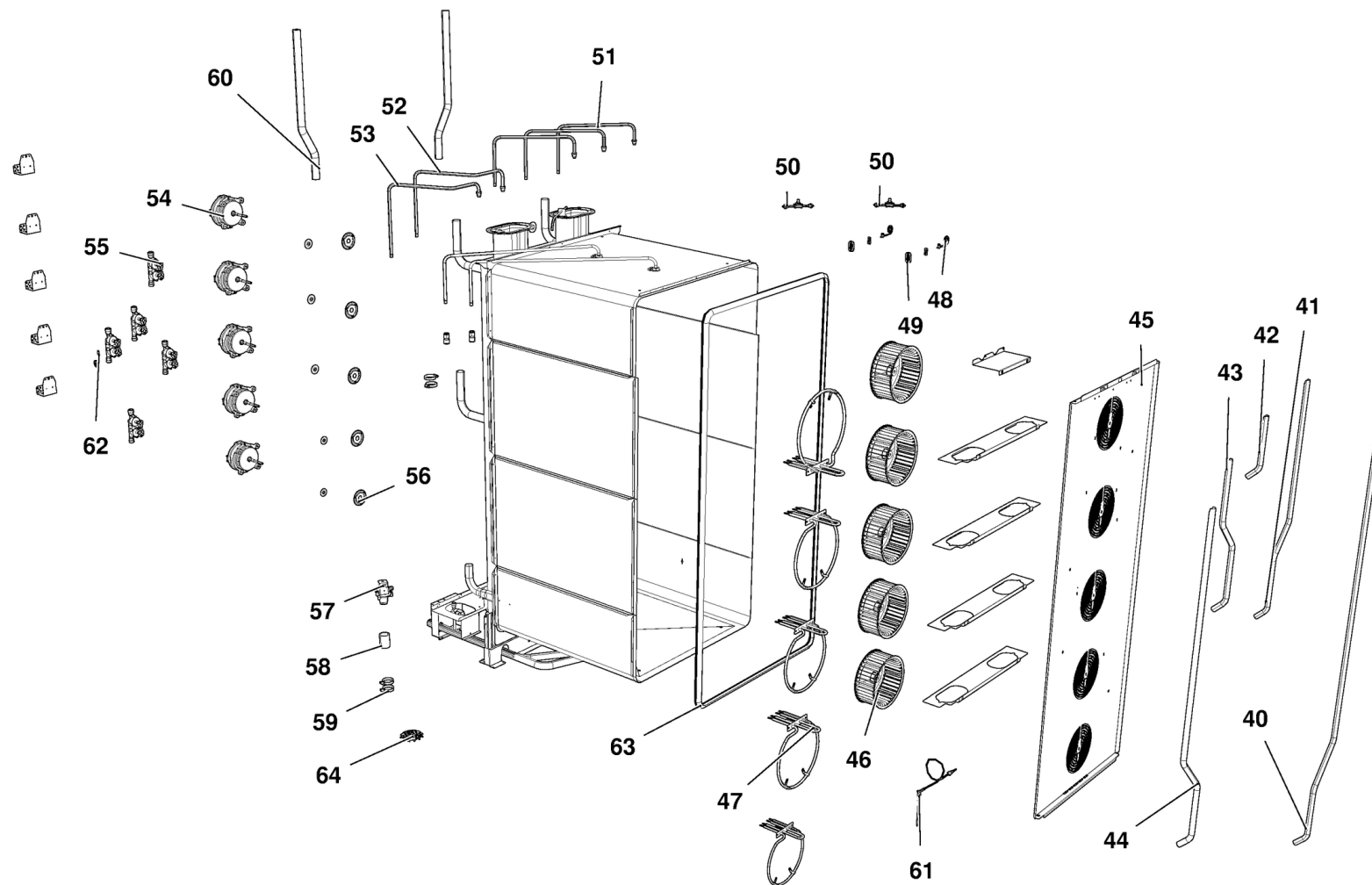
MOD:XVC4015EG



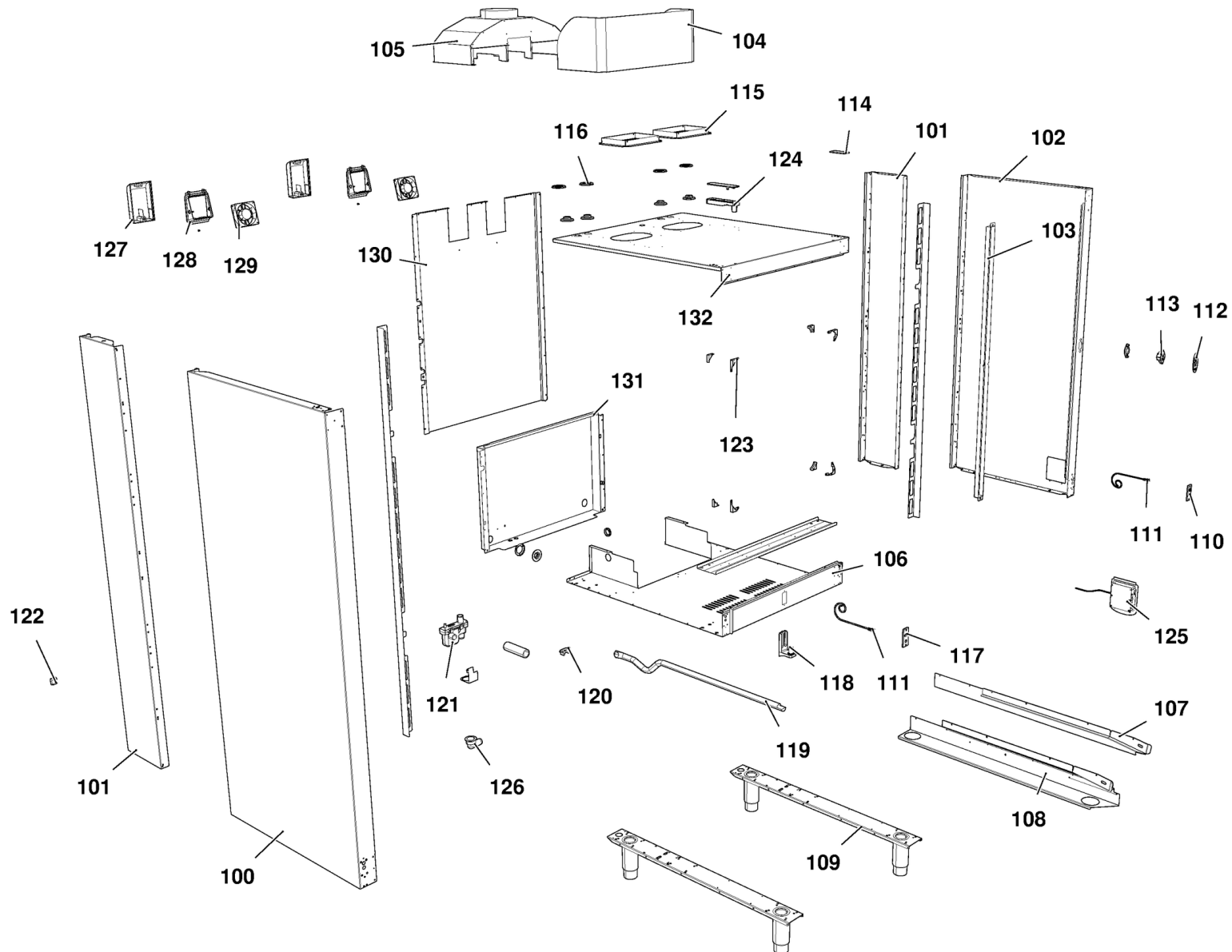
MOD:XVC4015EG



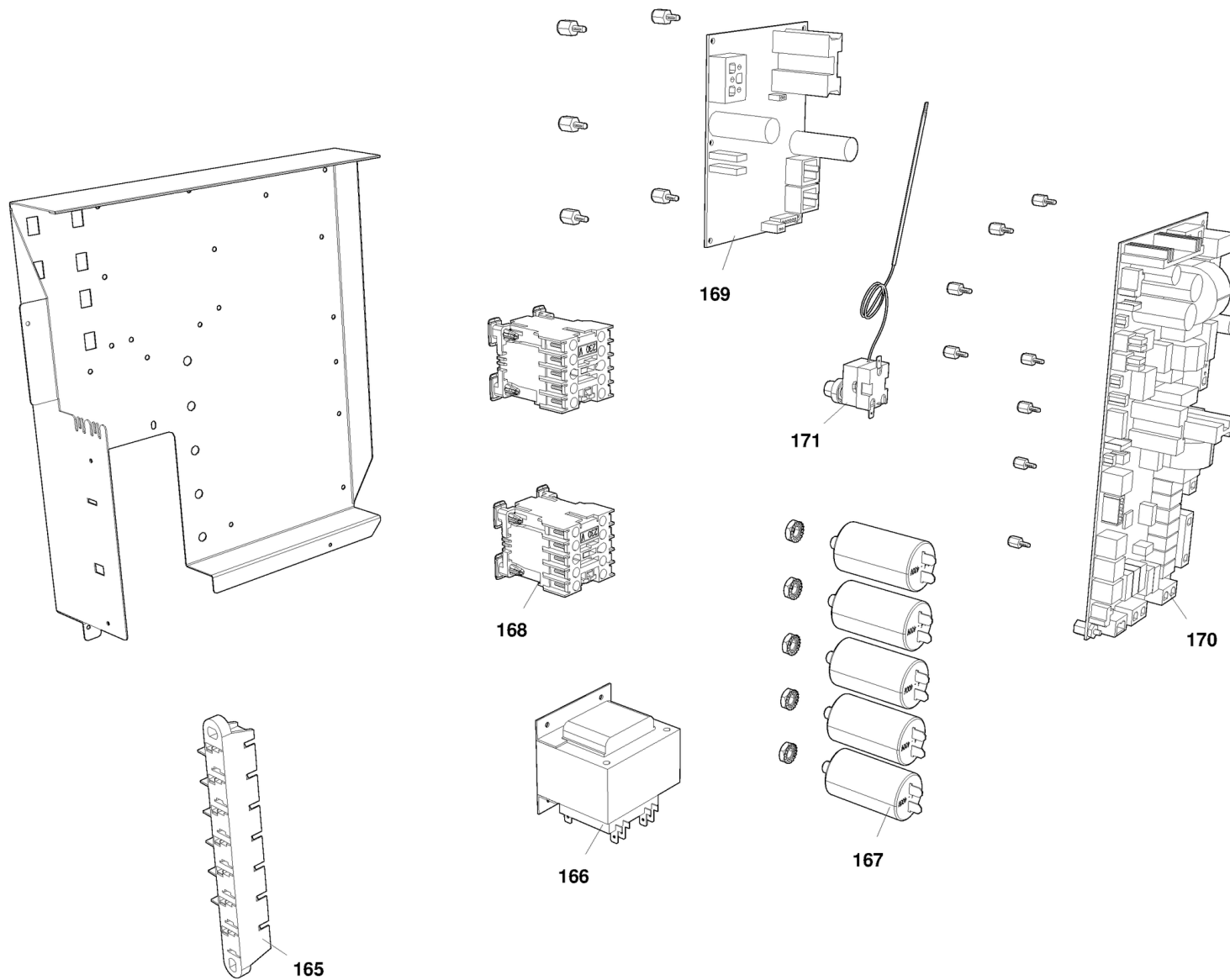
MOD:XVC4015EG



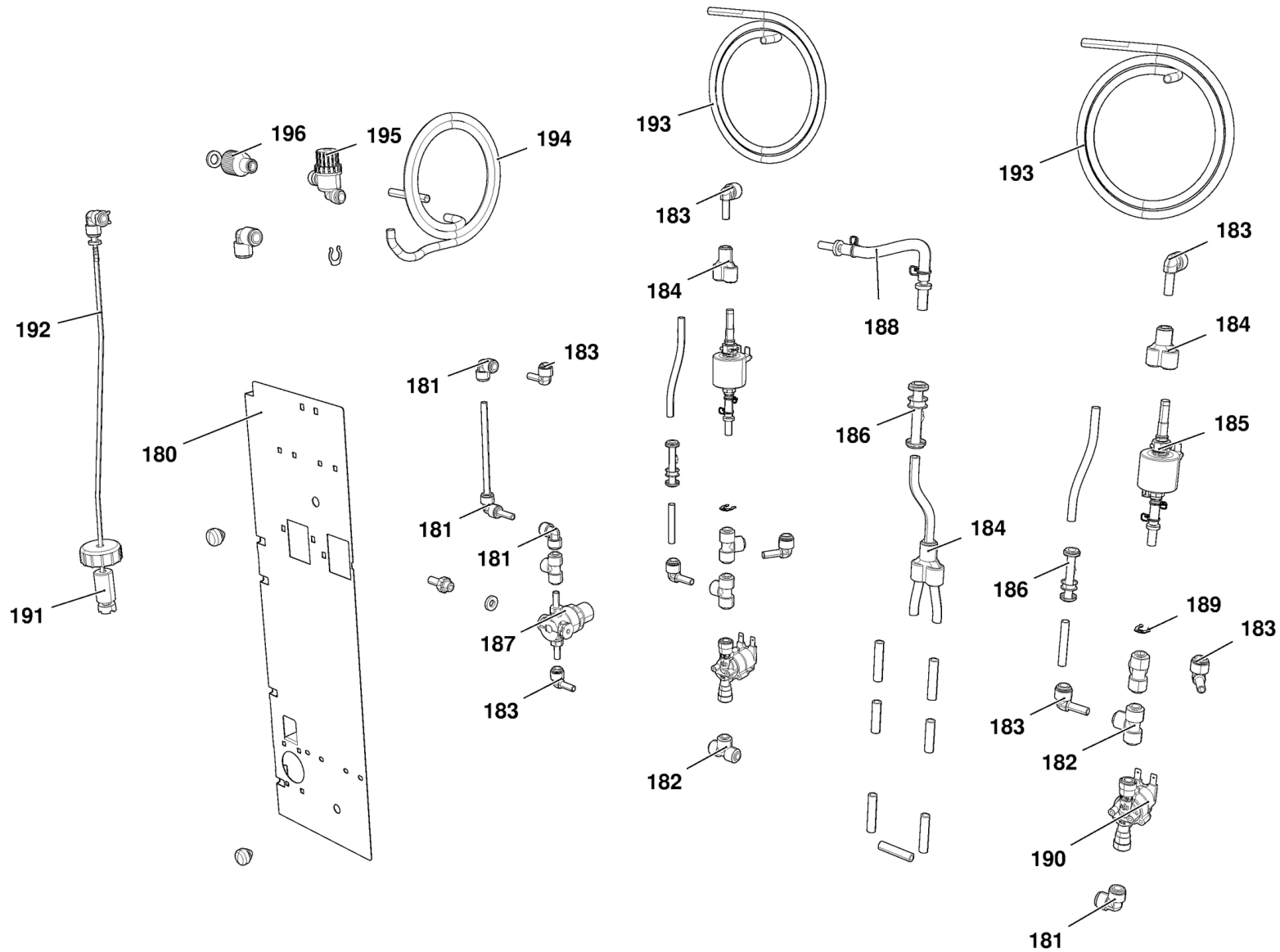
MOD:XVC4015EG



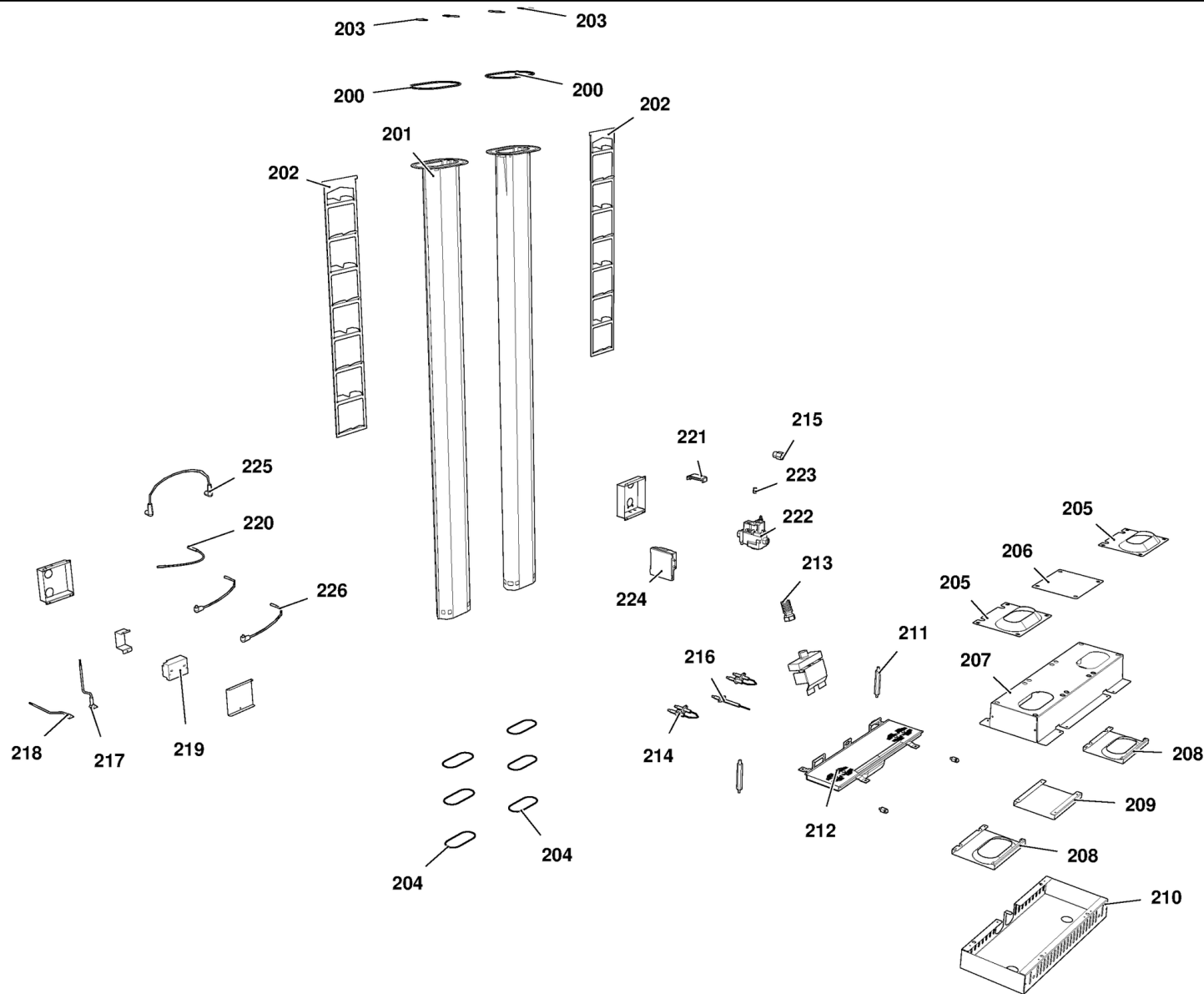
MOD:XVC4015EG



MOD:XVC4015EG



MOD:XVC4015EG



MOD:XVC4015EG



IT

Descrizione codici

1	VT1161A	VETRO ESTERNO SER. 757X1467X5
2	VT1160A	VETRO INTERNO SER. 730X1395X6
3	TB2454A	COLONNINA DX 1005E AISI-304
4	TB2336A	COLONNINA SX SERIE 1000/3200/4000
5	0H3170A	LIST. INF/SUP XVC1004/XBC1004 40x
6	VM1511A	BOCCOLA LISCIA PERNO PORTA CHEFFT
7	VM1170B	TAPPO FULCRO SUP. PORTA XVC204/30
8	VM1171B	TAPPO FULCRO INF. PORTA XVC204/30
9	VM1510A	BOCCOLA SCANALATA PERNO PORTA XBC
10	VM1175A	TAPPO ESTETICO COLONNINA PORTA
11	VM1620A	SUPPORTO INF BARRA LED
12	LP1004B	BARRA ILLUMINAZIONE LED L1000
13	0H6458A	PROFILO INFERIORE PORTA XVC1005E/
14	GN1348E	GUARNIZIONE PORTA-CARRELLO GN1341
15	0H6445A	LAMIERA CAMMA PORTA BIG S.5E
16	VM1591A	STAFFA SPINGIVETRO INTERNO XVC100
17	VM1630A	TAPPO PREMI VETRO INTERNO
18	VM1180B	IMPUGNATURA MANIGLIA CT BT
19	VM1621A	SUPPORTO SUP BARRA LED
20	VM1490A	COPRI VITI MANIGLIA CHEFTOP BAKER
21	0H4450A	LAMIERA CHIUSURA POST. CRUSCOTTO
22	VE1030A	CALAMITA D=22,9mm PER MICROPORTA
23	0H6720A	FIANCHETTO CRUSCOTTO COMANDI
24	VT1170B	VETRO CRUSCOTTO SER. 757X170X4 XV
25	CE1290A	MORSETTO FEMMINA ESTRAIBILE CPF 5
26	CE1285A	FERRITE EMI ROUND MOD. 2643801502
27	CE1310A	CAVO COLLEGAMENTO POTENZA CONTROL
28	VM1145A	CORNICE CRUSCOTTO C.T.
29	PE1740C	SCHEDA CONTROLLO PE1705 CT BT
40	TB2334A	TUBO INT. UMIDITA' DX Ø16x1
41	TB2332A	TUBO INT. UMIDITA' DX Ø16x1

42	TB2330A	TUBO INTERNO UMIDITA' CENT. Ø16x1
43	TB2331A	TUBO INT. UMIDITA' SX Ø16x1
44	TB2333A	TUBO INT. UMIDITA' DX Ø16x1
45	0G1499A	CARTER ARIA SERIE 4000
46	VN1030A	VENTOLA D196 H81 39 PALE DADO M8
47	RS1240A	RESISTENZA CIRC. D=300 MM SPIRA
48	TR1106A	SONDA TEMPERATURA PT100 L2000
49	VM1465A	COPERCHIO Sonda TEMPERATURA CHEFT
50	VM1955B	CORPO GIRANTE LAVAGGIO
51	TB1515A	TUBO EST. UMIDITA' + RC1165A0
52	TB2246A	TUBO EST. UMIDITA' + RC1165A0
53	TB2244A	TUBO EST. UMIDITA' + RC1165A0
54	VN1130A	MOTORE FORNO 330W 230V 50/60HZ
55	EL1361A	ELETTROVALVOLA TRI-STADIO JG D8-D
56	0H4305A	DISCO TENUTA ALBERO MOTORE INOX S
57	VE1135A	ATTUATORE VENTURI 220V 50/60 Hz S
58	TB1956A	TB1520A-TUBO NERO EPDM L=50
59	RC1378A	FASCETTA STRINGI TUBO ZINCATA
60	TB1873A	TUBO CONVOGLIATORE FUMI SERIE 100
61	SN1012A	SONDA CUORE MULTIPUNTO L2730
62	PE1710A	SENSORE NUMERO GIRI MOTORE
63	GN1392C	GN1006A-GUARNIZIONE PORTA XVC1005
64	0H2551A	TAPPO PER TUBO DI SCARICO LIQUIDI
100	0D2182A	FIANCO SX XVC1005/4005
101	0H6500A	FIANCO POSTERIORE SX/DX SERIE 320
102	0D2183A	FIANCO DX XVC1005/4005
103	0H3280A	LAMIERA REGGI SROCCO XVC1004 XBC1
104	0N1210A	COPERTURA ESTETICA INTER. TIRAG.
105	0N1357A	CORPO INTERRUPTORE TIRAGGIO FUMI
106	0E1325A	FONDO ESTERNO SERIE 4015E-3215E
107	0H5046A	ASM GUIDE CARRELLO DX SERIE 4000

108	0H5047A	ASM GUIDE CARRELLO SX SERIE 4000
109	PD1030A	LONGHERONE PIEDINI 2" H147-190 GN
110	VM1201A	PIASTRINA SUPPORTO MICROPORTA MAG
111	VE1020A	MICROINTERRUPTORE PORTA MAGNETICO
112	VM1455A	COPERCHIO PER SCROCCO FORNO XVC-X
113	VM1190A	SCROCCO MANIGLIA DX CT BT
114	VM1195A	PIASTRINA COPRIFORI XVC204/304/50
115	0N1352A	LAMIERA LATERALE CANNE
116	0H3790A	LAMIERA TENUTA CAMINO
117	VM1200A	PIASTRINA SUPPORTO MICROPORTA MEC
118	VM1160B	STAFFA INFERIORE PORTA CT BT
119	TB2353A	TUBO SCARICO ACQUA CARRELLATI GN2
120	VM2036A	SUPPORTO TUBO SCARICO ACQUA
121	VL1005A	VASCA SIFONE
122	VM1750A	MORSETTIERA A PETTINE
123	0H1450A	ANGOLO FACCIATA MUFFOLA INOX XB-X
124	VM1165B	STAFFA SUPERIORE PORTA CT BT
125	PE1971B	ASM SCHEDA UNOX.LINK MODBUS RJ45+
126	VL1026A	CURVA PER TUBO DI SCARICO
127	VM1556A	PROTEZIONE VENTOLA RAFFREDDAMENTO
128	VM1555A	SUPPORTO VENTOLA RAFFREDDAMENTO C
129	VN1163A	VENTOLA RAFFREDDAMENTO 230V
130	0F1473A	SCHIENA SUP 2 VENTOLE SERIE 1000-
131	0F1476A	SCHIENA INFERIORE 1015E-4015E
132	0D2241A	COPERCHIO 2 VENTOLE XVC4015E
165	MR1004A	MORSETT. 7FTW GV V0 VL CU 1+2+3/4
166	VE1026A	TRASFORMATORE 230-21-12Vac 80VA
167	CN1003A	CONDENSATORE CORAZZATO 6,3 uF
168	VE1115A	MINICONTATTORE QUADRIPOLE 20 A
169	PE1730C	SCHEDA GESTIONE CENTRALINA GAS CT
170	PE1725E	SCHEDA POTENZA FORNI CT-BT S5.E

171	TR1136A	TERMOSTATO SIC. UNIP. 330°C
180	0H6441A	SUPPORTO IMPIANO IDRICO DOPPIO VE
181	EL1185B	RACCORDO GOMITO D8F-D8F
182	EL1020A	RACCORDO INTERMEDIO "T" TUBO ø8
183	EL1195B	RACCORDO GOMITO D8F-D8M
184	EL1115B	RACCORDO Y D8
185	VL1038A	POMPA VIBRAZIONE
186	EL1180A	RACCORDO NON RITORNO ø8 ø8 FEMMIN
187	VL1014A	RIDUTTORE DI PRESSIONE CON DISTRI
188	TB2429A	TUBO PVC ø9X6 L 250 MM
189	EL1345A	CLIP BLOCCA PINZETTA RACCORDI ø8
190	EL1411A	ELETTROVALVOLA H2O CON CHECK VALV
191	VL1044A	KIT FILTRO E AFFONDANTE
192	TB2242A	TUBO ø6 LAVAGGIO 2M
193	TB2235A	ROCCETTO DETERGENTE TUBO ø8
194	TB2237A	TUBO ø10 ALLACCIAMENTO RETE
195	VL1034A	FILTRO ACQUA ø10 MESH100
196	RC1365A	RACCORDO JG FEMMINA 3/4"-10
200	LV1085A	CORDA IN FIBRA DI VETRO TONDA ø4
201	0N1280A	CANNA SCAMBIATORE SERIE 1015-4015
202	0N1370A	TURBOLATORE XVC-XBC 1015E
203	0N1135A	FORCHETTA PER TURBOLATORI GAS
204	GR1070A	ANELLO PER LABIRINTO CANNA-PORTAC
205	0N1245A	SCUDO SUPERIORE BRUCIATORE 2/1
206	0N1275A	SCUDO CENTRALE BRUCIATORE SUP.
207	0N1255A	SCATOLA SUP. BRUCIATORE FORNI 2/1
208	0N1250A	SCUDO INFERIORE BRUCIATORE 2/1
209	0N1270A	SCUDO CENTRALE BRUCIATORE INF.
210	0N1260A	SCATOLA INF. CAMERA DI COMBUSTION
211	TF1040A	COLONNINA FISSAGGIO BRUCIATORE XV
212	BR1257A	PIANO FIAMMA BRUCIATORE POWER

213	TB1705A	TUBO GAS EMIPIU 3/4 F-F L=750
214	BR1310A	CANDELA DOPPIA ACCENSIONE XVC-XBC
215	RC1045A	RACC DRITTO OTT FIL 3/4GAS FEMM.
216	BR1230A	CANDELA DI RILEVAZIONE ACCENSIONE
217	CE1789A	CAVO FIDA ALIMENTAZIONE ACCENDITO
218	CE1788A	CAVO FIDA ALIMENTAZIONE ACCENDITO
219	VE1621A	ACCENDITORE FIDA
220	CE1792A	CAVO CANDELA RILEVAZIONE FIAMMA
221	VE1060A	COPERCHIO PER VE1055A0
222	EL1400C	ELETTROVALVOLA MODULANTE GAS HONE
223	VG1003A	TAPPO COPRI MODULATORE VALVOLA GA
224	VE1055A	CONTROLLO FIAMMA HLL 220-240V 5 S
225	CE1782A	CAVO FIDA PONTE HV L=300
226	CE1777A	CAVO FIDA ACCENSIONE HV L=650

MOD:XVC4015EG



EN

Codes descriptions

1	VT1161A	SER. EXTERNAL GLASS 757X1467X5
2	VT1160A	SER. INTERNAL GLASS 730X1395X6
3	TB2454A	1005E RIGHT DOOR COLUMN
4	TB2336A	S.5E LEFT DOOR COLUMN 1000/3200/4
5	OH3170A	UPPER/LOWER DOOR LISTEL XVC1004/X
6	VM1511A	XBC/XVC SLEEK DOOR PIN BUSHING
7	VM1170B	UPPER DOOR FULCRUM CAP
8	VM1171B	DOOR LOWER FULCRUM CAP
9	VM1510A	XBC/XVC GROOVED DOOR PIN BUSHING
10	VM1175A	DOOR COLUMN BLANKING CAP
11	VM1620A	LED BAR LOWER SUPPORT
12	LP1004B	LEB LIGHTING BAR L1000
13	OH6458A	XVC1005E/XBC1005 LOWER DOOR PROFI
14	GN1348E	E SERIES DOOR-TROLLEY SEALING H14
15	OH6445A	E SERIES TROLLEY OVENS CAM PLATE
16	VM1591A	GLASS BRACKET INT. XVC1004
17	VM1630A	INTERNAL GLASS PUSHING CAP
18	VM1180B	ChefTop/BakerTop HANDLE HAFT
19	VM1621A	LED BAR UPPER SUPPORT
20	VM1490A	CHEFTOP/BAKERTOP HANDLE SCREWS CO
21	OH4450A	CLOSING PLATE BACK COVER
22	VE1030A	MAGNET FOR DOOR MICROSWITCH D=22,
23	OH6720A	CONTROL BOARD EXTERNAL LATERAL SI
24	VT1170B	XVC1005 CONTROL PANEL GLASS 757X1
25	CE1290A	EXTRACTABLE FEMALE TERMINAL CPF 5
26	CE1285A	EMI ROUND FERRITE MOD.2643801502
27	CE1310A	POWER - CONTROL BOARD CONNECTING
28	VM1145A	C.T. BOARD FRAME
29	PE1740C	CT BT CONTROL BOARD PE1705 + BOAR
40	TB2334A	INTERNAL RIGHT WATER PIPE Ø16x1
41	TB2332A	INTERNAL RIGHT WATER PIPE Ø16x1

42	TB2330A	INTERNAL CENTRAL WATER PIPE Ø16x1
43	TB2331A	INTERNAL LEFT WATER PIPE Ø16x1
44	TB2333A	INTERNAL RIGHT WATER PIPE Ø16x1
45	OG1499A	400 SERIES FAN GUARD
46	VN1030A	MOTOR FAN D196 H81 39 BLADE NUT M
47	RS1240A	HEATING ELEMENT D=300 MM
48	TR1106A	TEMPERATURE PROBE PT100 L=2000
49	VM1465A	CHEFTOP TEMPERATURE PROBE COVER
50	VM1955B	WASHIG SYSTEM ROTOR
51	TB1515A	EXTERNAL WATER PIPE + RC1165A0
52	TB2246A	EXTERNAL WATER PIPE + RC1165A0
53	TB2244A	EXTERNAL WATER PIPE + RC1165A0
54	VN1130A	330W 230V 50/60HZ MOTOR
55	EL1361A	J.G. THREE-STAGE SOLENOID VALVE D
56	OH4305A	ST. STEEL MOTOR SHAFT SEALING DIS
57	VE1135A	VENTURI ACTUATOR 220 V 50/60 Hz S
58	TB1956A	TB1520A - EPDM BLACK PIPE L=50
59	RC1378A	HOSE CLAMP
60	TB1873A	CONVEYOR FUME TUBE SERIES 1005 Ø3
61	SN1012A	MULTI.Point CORE PROBE L2730
62	PE1710A	MOTOR REVOLUTIONS SENSOR
63	GN1392C	XVC1005-4005 DOOR GASKET - GN1006
64	OH2551A	XBC/XVC ST.STEEL DRAIN COVER
100	OD2182A	XVC1005/4005 LEFT SIDE EXTERNAL P
101	OH6500A	3200/4000 SERIES LEFT/RIGHT BACK
102	OD2183A	XVC1005/4005 RIGHT SIDE EXTERNAL
103	OH3280A	XVC1004 XBC1004 SPRING LATCH HOLD
104	ON1210A	XVC GAS DRAFT STOPPER EXTERNAL CO
105	ON1357A	FUMES DRAFT SWITCH BODY 180D
106	OE1325A	XVC3215E/4015E EXTERNAL BOTTOM PA
107	OH5046A	4000 SERIES RIGHT TROLLEY GUIDE

108	OH5047A	4000 SERIES LEFT TROLLEY GUIDE
109	PD1030A	2" H147-190 GN2/1 FEET BRACKET
110	VM1201A	MAGNETIC SUPPORT PLATE FOR DOOR M
111	VE1020A	MAGNETIC DOOR MICROSWITCH
112	VM1455A	SPRING LATCH COVER XVC-XBC1004
113	VM1190A	CT BT RIGHT DOOR SPRING LATCH
114	VM1195A	HOLES BLANKING PLATE XVC204/304/5
115	ON1352A	HEAT EXCHANGER SIDE PANEL
116	OH3790A	CHIMNEY HOLDING PLATE
117	VM1200A	DOOR MECHANIC MICROSWITCH SUPPORT
118	VM1160B	CT BT DOOR LOWER BRACKET
119	TB2353A	TROLLEY OVENS WATER DRAIN PIPE Ø3
120	VM2036A	DRAIN WATER PIPE SUPPORT
121	VL1005A	U-TRAP TANK
122	VM1750A	TERMINAL BOARD
123	OH1450A	XB-XV-XG ST. STEEL MUFFLE FRONT C
124	VM1165B	CT BT DOOR UPPER BRACKET
125	PE1971B	UNOX.LINK MODBUS RJ45+USB
126	VL1026A	BEND FOR DRAIN PIPE
127	VM1556A	XBC-XVC COOLING FAN GUARD
128	VM1555A	CT BT COOLING DOWN FAN SUPPORT
129	VN1163A	COOLING FAN 230V
130	OF1473A	1000-4000 SERIES EXTERNAL UPPER P
131	OF1476A	1015E-4015E SERIES LOWER BACK
132	OD2241A	4015E SERIES EXTERNAL COVER
165	MR1004A	TERMINAL 7FTW GV V0 VL CU 1+2+3/4
166	VE1026A	TRANSFORMER 230-21-12Vac 80VA
167	CN1003A	CONDENSER6,3 UF
168	VE1115A	MINI CONTACTOR WITH 4 POLES 20 A 2
169	PE1730C	CT-BT GAS CONTROL BOARD
170	PE1725E	E SERIES CHEFTOP-BAKERTOP POWER C

171	TR1136A	SAFETY THERMOSTAT UNIP. 330°C
180	OH6441A	DOUBLE VERTICAL WATER SUPPLY SUPP
181	EL1185B	D8F-D8F ELBOW FITTING
182	EL1020A	INTERMEDIATE "T" CONNECTION Ø8
183	EL1195B	D8F-D8M ELBOW CONNECTION
184	EL1115B	Y D8 CONNECTION
185	VL1038A	VIBRATION PUMP
186	EL1180A	Ø8 Ø8 FEMALE NON-RETURN CONNECTIO
187	VL1014A	PRESSURE REDUCER WITH DISTRIBUTOR
188	TB2429A	PVC PIPE Ø9X6 L 250 MM
189	EL1345A	CLIP TO FIX Ø08 mm CONNECTION JOI
190	EL1411A	SOLENOID VALVE WITH CHECK VALVE
191	VL1044A	HOLD DOWN WEIGHT WITH FILTER
192	TB2242A	WASHING SYSTEM PIPE Ø6 2M
193	TB2235A	Ø8 DETERGENT PIPE COIL
194	TB2237A	Ø10 WATER MAIN CONNECTION PIPE
195	VL1034A	Ø10 MESH100 WATER FILTER
196	RC1365A	3/4"-10 JG FEMALE CONNECTION
200	LV1085A	ROUND GLASS FIBRE STRING Ø4
201	ON1280A	915-1015-1615-4015 HEAT EXCHANGER
202	ON1370A	XVC-XBC 1015E BAFFLE
203	ON1135A	GAS BUFFLE FORK
204	GR1070A	STAINLESS STEEL RING FOR LABYRIN
205	ON1245A	UPPER SHIELD BURNER 2/1
206	ON1275A	CENTRAL SHIELD UPPER BURNER
207	ON1255A	BURNER UPPER BOX OVENS 2/1
208	ON1250A	LOWER SHIELD BURNER 2/1
209	ON1270A	CENTRAL LOWER BURNER SHIELD
210	ON1260A	915-1015-1615-4015 LOWER BURNER B
211	TF1040A	XVC/XBC BURNER FIXING COLUMN
212	BR1257A	POWER VERSION BURNER FLAME BASE

213	TB1705A	GAS TUBE EMIPIU 3/4 F-F L=750
214	BR1310A	XBC-XVC DOUBLE START UP CANDLE
215	RC1045A	3/4 FEMALE-3/4 STRAIGHT GAS CONNE
216	BR1230A	START UP SENSOR CANDLE
217	CE1789A	LIGHTER POWER SUPPLY FIDA CABLE
218	CE1788A	START UP CABLE - US VERSION
219	VE1621A	FIDA LIGHTER
220	CE1792A	FLAME DETECTOR CANDLE CABLE
221	VE1060A	COVER FOR VE1055A0
222	EL1400C	HONEYWELL MODULATING GAS VALVE
223	VG1003A	GAS VALVE MODULATOR COVER CAP
224	VE1055A	HLL 220-240V 5 SEC FLAME CONTROL
225	CE1782A	HV L=300 BRIDGE FIDA CABLE
226	CE1777A	HV L=650 STARTER FIDA CABLE